

MAX-8

V1907.01



MAX-8

Excellent Performances & Reliability

CPD30/35FT8

CPD30/35FT8H

Four-wheel Electric Forklift 3.0/3.5t

Strong and Reliable;

Low battery protection makes long service life;

Regenerative brake and anti-roll back in slope ensure safety operation;

One-step molding standard automobile oil tank, more clean and reliable inside.

EP EQUIPMENT CO.,LTD
www.ep-ep.com




Let's grow together

Four-wheel Electric Forklift 3.0/3.5t

CPD30/35FT8 / CPD30/35FT8H

| Distinguishing mark | | | | | | | |
|---------------------|---|---------------------------------|--------|--------------------|--------------------|------------------------|------------------------|
| 1.1 | Manufacturer | | | EP | EP | EP | EP |
| 1.2 | Model designation | | | CPD30FT8 | CPD30FT8H | CPD35FT8 | CPD35FT8H |
| 1.3 | Drive unit | | | Electrics | Electrics | Electrics | Electrics |
| 1.4 | Operator type | | | seated | seated | seated | seated |
| 1.5 | rated capacity | Q | t | 3 | 3 | 3.5 | 3.5 |
| 1.6 | Load center distance | c | mm | 500 | 500 | 500 | 500 |
| 1.8 | Load distance, centre of drive axle to fork | x | mm | 500 | 500 | 500 | 500 |
| 1.9 | Wheelbase | y | mm | 1622 | 1622 | 1622 | 1622 |
| Weight | | | | | | | |
| 2.1 | Service weight (include battery) | | kg | 4980 | 4980 | 5100 | 5100 |
| 2.2 | Axle loading, laden driving wheels /steering wheels | | kg | 7230/750 | 7230/750 | 7800/800 | 7800/800 |
| 2.3 | Axle loading, unladen driving wheels /steering wheels | | kg | 2140/2840 | 2140/2840 | 2200/2900 | 2200/2900 |
| Types,Chassis | | | | | | | |
| 3.1 | Tyre type,driving wheels /steering wheels | | | pneumatic | pneumatic | pneumatic/solid rubber | pneumatic/solid rubber |
| 3.2 | Tyre size, driving wheels | | | 28X9-15 | 28X9-15 | 28X9-15 | 28X9-15 |
| 3.3 | Tyre size, steering wheels | | | 18X7-8 | 18X7-8 | 18X7-8 | 18X7-8 |
| 3.5 | Wheels, number driving/steering (x=drive wheels) | | mm | 2x/ 2 | 2x/ 2 | 2x/ 2 | 2x/ 2 |
| 3.6 | Tread, Driving wheels | b ₁₀ | mm | 1000 | 1000 | 1000 | 1000 |
| 3.7 | Tread, Steering wheels | b ₁₁ | mm | 980 | 980 | 980 | 980 |
| Dimensions | | | | | | | |
| 4.1 | Tilt of mast/fork carriage forward/backward | α/ β (°) | | 6/ 10 | 6/ 10 | 6/ 10 | 6/ 10 |
| 4.2 | Height, mast lowered | h ₁ | mm | 2070 | 2070 | 2070 | 2070 |
| 4.3 | Free lift (load backrest) | h ₂ | mm | 120 | 120 | 120 | 120 |
| 4.4 | Lift height | h ₃ | mm | 3000 | 3000 | 3000 | 3000 |
| 4.5 | Height, mast extended | h ₄ | mm | 4105 | 4105 | 4105 | 4105 |
| 4.7 | Height of overhead guard (cabin) | h ₆ | mm | 2220 | 2220 | 2220 | 2220 |
| 4.8 | Seat height | h ₇ | mm | 1110 | 1110 | 1110 | 1110 |
| 4.12 | Tow center of pin height | h ₁₀ | mm | 310 | 310 | 310 | 310 |
| 4.19 | Overall length | l ₁ | mm | 3620 | 3620 | 3620 | 3620 |
| 4.20 | Length to face of forks | l ₂ | mm | 2550 | 2550 | 2550 | 2550 |
| 4.21 | Overall width | b ₁ / b ₂ | mm | 1220 | 1220 | 1220 | 1220 |
| 4.22 | Fork dimensions | s/ e/ l | mm | 45×125×1070 | 45×125×1070 | 50×125×1070 | 50×125×1070 |
| 4.23 | Fork carriage class/type A, B | | | 3A | 3A | 3A | 3A |
| 4.24 | Fork carriage width | b ₃ | mm | 1180 | 1180 | 1180 | 1180 |
| 4.31 | Ground clearance, laden, below mast | m ₁ | mm | 130 | 130 | 130 | 130 |
| 4.32 | The minimum ground clearance of frame | m ₂ | mm | 120 | 120 | 120 | 120 |
| 4.34.1 | Aisle width for pallets 1000 × 1200 crossways | Ast | mm | 4000 | 4000 | 4000 | 4000 |
| 4.34.2 | Aisle width for pallets 800 × 1200 lengthways | Ast | mm | 4200 | 4200 | 4200 | 4200 |
| 4.35 | Turning radius | Wa | mm | 2300 | 2300 | 2300 | 2300 |
| Performance data | | | | | | | |
| 5.1 | Travel speed, laden/ unladen | | km/ h | 11/ 12 | 11/ 12 | 11/ 12 | 11/ 12 |
| 5.2 | Lifting speed, laden/ unladen | | m/ s | 0.23/ 0.37 | 0.22/ 0.37 | 0.23/ 0.37 | 0.22/ 0.37 |
| 5.3 | Lowering speed, laden/ unladen | | m/ s | 0.50/ 0.48 | 0.50/ 0.48 | 0.50/ 0.48 | 0.50/ 0.48 |
| 5.5 | Drawbar pull, laden/unladen | | N | — | — | — | — |
| 5.6 | Max. drawbar pull, laden/unladen (time) | | N | 18000 | 18000 | 18000 | 18000 |
| 5.7 | Gradeability, laden/unladen | | % | — | — | — | — |
| 5.8 | Max. gradeability, laden/unladen | | % | 10.5/12 | 10.5/12 | 10.5/12 | 10.5/12 |
| 5.10 | Service brake type | | | Hydraulic+Mechanic | Hydraulic+Mechanic | Hydraulic+Mechanic | Hydraulic+Mechanic |
| | park brake type | | | Mechanical | Mechanical | Mechanical | Mechanical |
| Electric-engine | | | | | | | |
| 6.1 | Drive motor rating S2 60 min | | kW | 16.6 | 16.6 | 16.6 | 16.6 |
| 6.2 | Lift motor rating at S3 15% | | kW | 10 | 13 | 10 | 13 |
| 6.3 | The maximum allowed size battery | | mm | — | — | — | — |
| 6.4 | Battery voltage/nominal capacity K5 | | | 80/500(Max550) | 80/500(Max550) | 80/500(Max550) | 80/500(Max550) |
| 6.5 | Battery weight | | kg | 1350 | 1350 | 1350 | 1350 |
| Addition data | | | | | | | |
| 8.1 | Type of drive unit | | | AC | AC | AC | AC |
| 10.5 | Steering type | | | — | — | — | — |
| 10.7 | Sound pressure level at the driver's ear | | dB (A) | 75 | 76 | 75 | 76 |

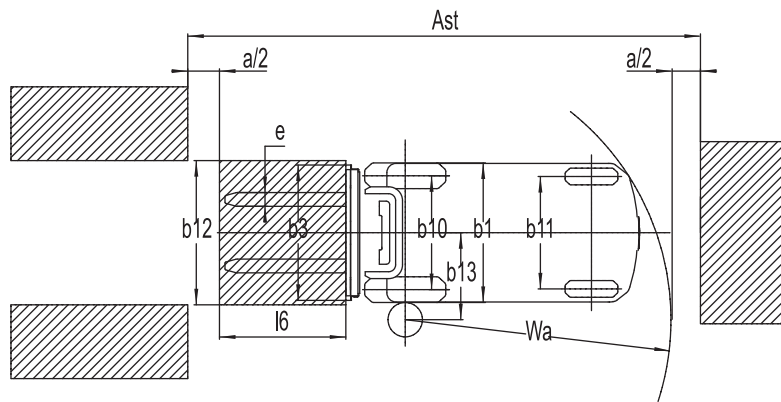
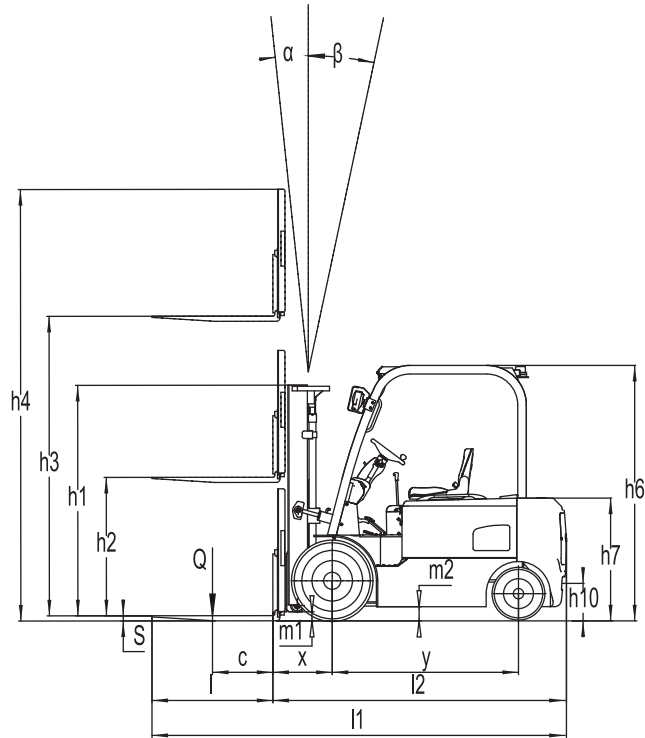
If there are improvements of technical parameters or configurations, no further notice will be given.
The diagram shown may contain non-standard configurations.

Mast Option

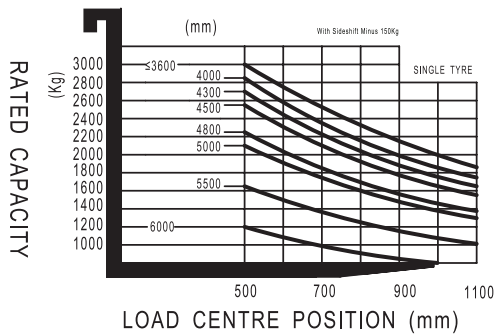
| Type | Model | Max. fork height mm | Overall height | | | Free lift | | Front Overhang | | Tilt range | | Capacity | | | | | |
|-----------------------------|-------|------------------------|----------------|------------------------|---------------------|------------------------|---------------------|----------------|------------|------------|------------|-------------------------|-------------------|-------------------------|-------------------|------------|------------|
| | | | Lowered mm | Extended | | Without backrest mm | With backrest mm | 3.0t mm | 3.5t mm | FWD Deg | BWD Deg | Load capacity at 500 mm | | Load capacity at 500 mm | | | |
| | | | | Without backrest mm | With backrest mm | | | | | | | Single tire kg | Double tire kg | Single tire kg | Double tire kg | 3.0t kg | 3.5t kg |
| Wide view mast | 2W200 | 2000 | 1570 | 2570 | 3250 | 120 | 120 | 486 | 486 | 6 | 12 | 3000 | 3000 | 3000 | 3500 | 3500 | 3500 |
| | 2W250 | 2500 | 1820 | 3070 | 3750 | 120 | 120 | 486 | 486 | 6 | 12 | 3000 | 3000 | 3000 | 3500 | 3500 | 3500 |
| | 2W270 | 2700 | 1920 | 3270 | 3950 | 120 | 120 | 486 | 486 | 6 | 12 | 3000 | 3000 | 3000 | 3500 | 3500 | 3500 |
| | 2W300 | 3000 | 2070 | 3570 | 4250 | 120 | 120 | 486 | 486 | 6 | 12 | 3000 | 3000 | 3000 | 3500 | 3500 | 3500 |
| | 2W330 | 3300 | 2220 | 3890 | 4370 | 120 | 120 | 486 | 486 | 6 | 12 | 3000 | 3000 | 3000 | 3500 | 3500 | 3500 |
| | 2W350 | 3500 | 2320 | 3890 | 4570 | 120 | 120 | 486 | 486 | 6 | 12 | 3000 | 3000 | 3000 | 3500 | 3500 | 3500 |
| | 2W360 | 3600 | 2370 | 3990 | 4670 | 120 | 120 | 486 | 486 | 6 | 12 | 3000 | 3000 | 3000 | 3500 | 3500 | 3500 |
| | 2W400 | 4000 | 2620 | 4040 | 4720 | 120 | 120 | 486 | 486 | 6 | 12 | 2850 | 3000 | 3000 | 3250 | 3500 | 3500 |
| | 2W430 | 4300 | 2770 | 4340 | 5020 | 120 | 120 | 486 | 486 | 6 | 6 | 2700 | 2900 | 3000 | 3000 | 3400 | 3400 |
| | 2W450 | 4500 | 2870 | 4290 | 4970 | 120 | 120 | 486 | 486 | 6 | 6 | 2550 | 2850 | 2850 | 2850 | 3350 | 3350 |
| Wide view full 2-stage mast | 2F250 | 2500 | 1830 | 2220 | 2900 | 1210 | 560 | 486 | 486 | 6 | 12 | 3000 | 3000 | 3000 | 3500 | 3500 | 3500 |
| | 2F270 | 2700 | 1930 | 2320 | 3000 | 1310 | 660 | 486 | 486 | 6 | 12 | 3000 | 3000 | 3000 | 3500 | 3500 | 3500 |
| | 2F300 | 3000 | 2080 | 2620 | 3300 | 1460 | 810 | 486 | 486 | 6 | 12 | 3000 | 3000 | 3000 | 3500 | 3500 | 3500 |
| | 2F330 | 3300 | 2230 | 3870 | 4550 | 1610 | 960 | 486 | 486 | 6 | 12 | 3000 | 3000 | 3000 | 3500 | 3500 | 3500 |
| | 2F360 | 3600 | 2380 | 4020 | 4700 | 1760 | 1110 | 486 | 486 | 6 | 12 | 3000 | 3000 | 3000 | 3500 | 3500 | 3500 |
| | 2F400 | 4000 | 2580 | 4420 | 5100 | 2060 | 1410 | 486 | 486 | 6 | 12 | 2850 | 3000 | 3000 | 3250 | 3500 | 3500 |
| Wide view full 3-stage mast | 3F430 | 4300 | 2055 | 5570 | 4910 | 1360 | 730 | 495 | 500 | 6 | 6 | 2550 | 2850 | 2850 | 2850 | 3350 | 3350 |
| | 3F450 | 4500 | 2135 | 5750 | 5070 | 1460 | 810 | 495 | 500 | 6 | 6 | 2400 | 2700 | 2700 | 2700 | 3200 | 3200 |
| | 3F480 | 4800 | 2140 | 6050 | 5375 | 1565 | 915 | 495 | 500 | 6 | 6 | 2250 | 2550 | 2550 | 2450 | 2950 | 2950 |
| | 3F500 | 5000 | 2325 | 6250 | 5570 | 1610 | 960 | 495 | 500 | 6 | 6 | 1650 | 2250 | 2250 | 2300 | 2800 | 2800 |
| | 3F550 | 5500 | 2575 | 6830 | 6150 | 1770 | 1120 | 495 | 500 | 3 | 6 | 1800 | 2250 | 2250 | 1800 | 2550 | 2550 |
| | 3F600 | 6000 | 2825 | 7250 | 6570 | 2020 | 1370 | 495 | 500 | 3 | 6 | 1200 | 2100 | 2100 | 1300 | 2300 | 2300 |

1. The parameters in the table are of the standard model. For more information, please contact us.

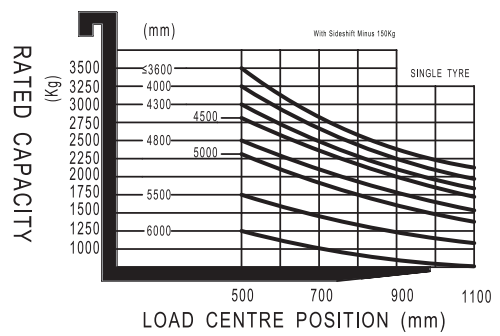
2. The parameters are subject to change without notice.



CPD30FT8/30FT8H
RATED CAPACITIES GRAPH



CPD35FT8/35FT8H
RATED CAPACITIES GRAPH





Option

| Options | | CPD30/35FT8 | CPD30/35FT8H |
|---------|--------------------------|-----------------------------|--------------|
| 1 | Fork length | | ○ |
| 2 | Fold fork | | — |
| 3 | Battery capacity | | ○ |
| 4 | Import battery | | ○ |
| 5 | Solid rubber tire | | ○ |
| 6 | Environmental solid tire | | ○ |
| 7 | Cold storage | | ○ |
| 8 | Lateral change battery | | ○ |
| 9 | fork weighing system | | ○ |
| 10 | Overhead guard | | ○ |
| 11 | Mast options | | ○ |
| 12 | Attachments | | ○ |
| 13 | Built in side shift | | ○ |
| 14 | Proportional valve | | — |
| 17 | | LED front light | ● |
| 28 | Light | Back light | ○ |
| 22 | | Warning light | ● |
| 18 | Fire extinguisher | | ○ |
| 19 | Water auto-fillingsystem | | ○ |
| 20 | Seat | | ○ |
| 21 | Seat switch | | ○ |
| 23 | | With fan heater | ○ |
| 25 | Cockpit | With front windshield wiper | ○ |
| 26 | | With rear windshield wiper | ○ |
| 16 | | Cockpit | ○ |
| 24 | Double front wheel | | ○ |
| 27 | Rearview | | ○ |
| 29 | OPS system | | ○ |
| 30 | Backrest width | | ○ |
| 31 | Environmental solid tire | | ○ |
| 32 | Air fan | | ○ |
| 33 | Charging voltage | | ○ |
| 35 | Drive-in Rack | | ○ |

Note: ● standard ○ option — NA