

# HELI

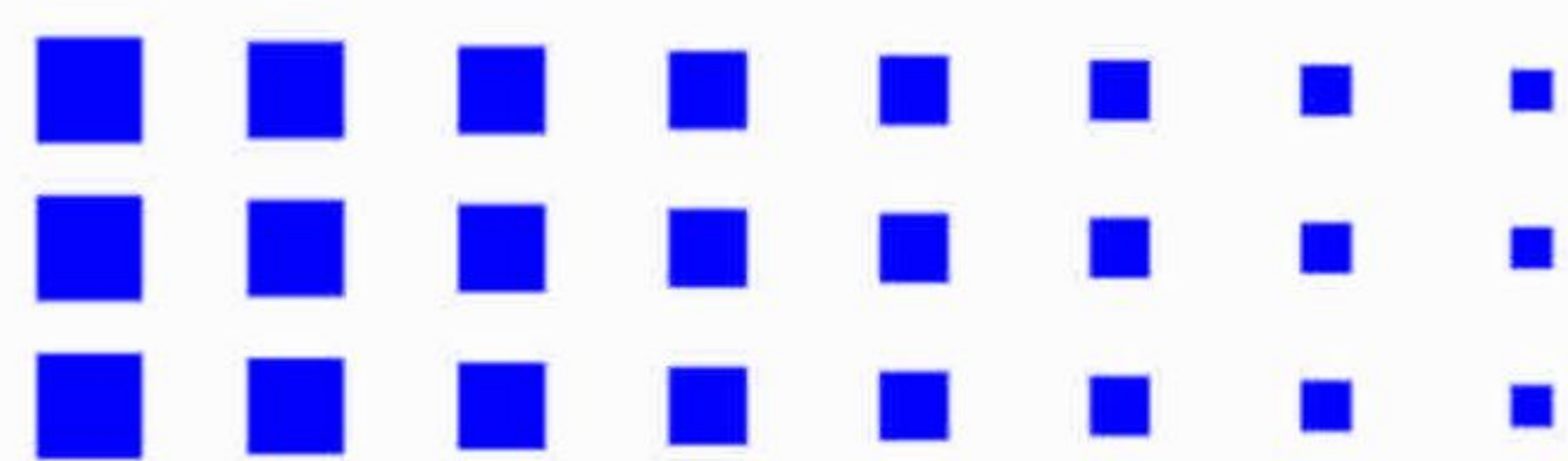
# HELI REACH STACKERS

## 合力正面吊运机

RSH4528-Vo

RSH4532-Vo

RSH4536-Vo

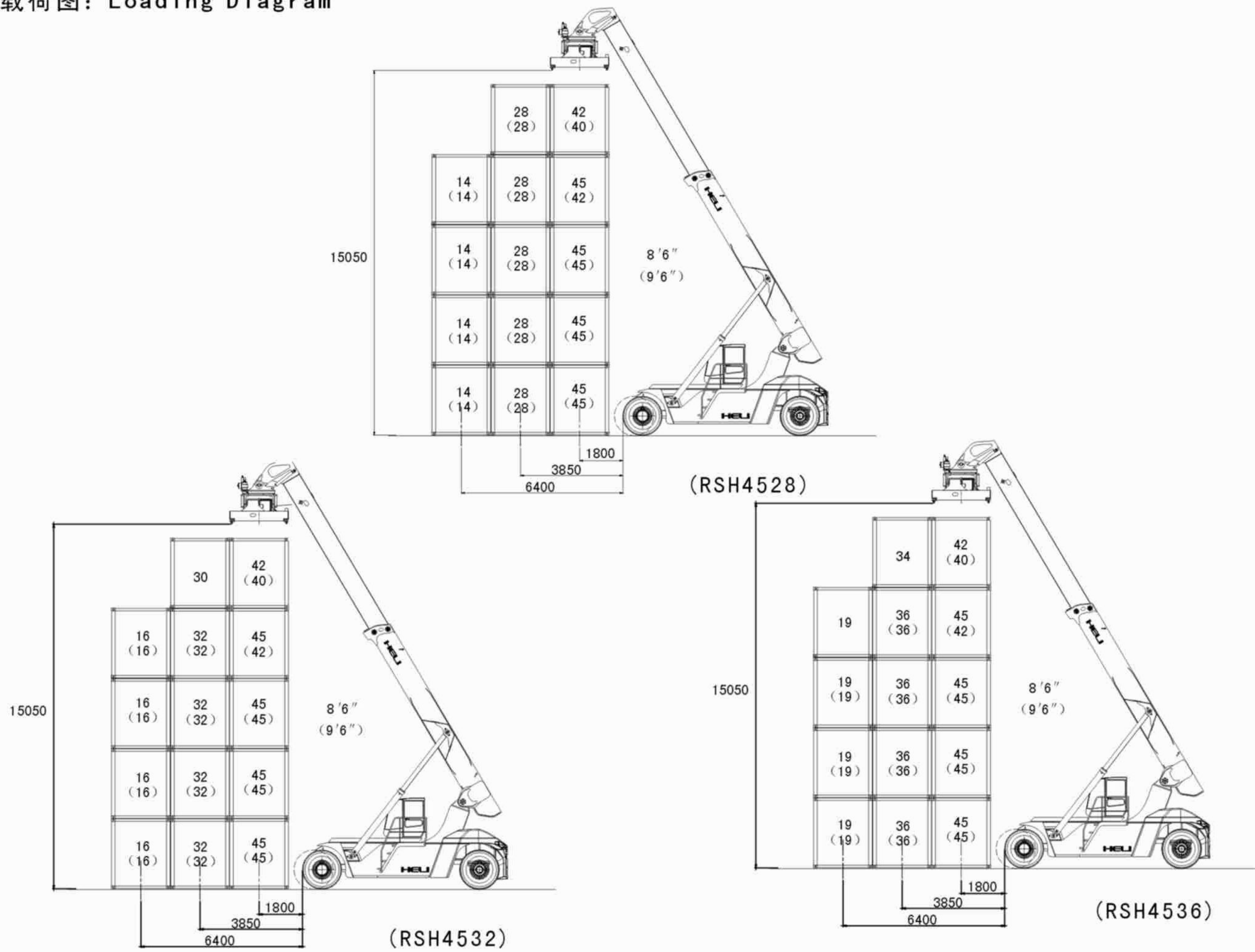


安徽合力股份有限公司  
ANHUI HELI CO., LTD.

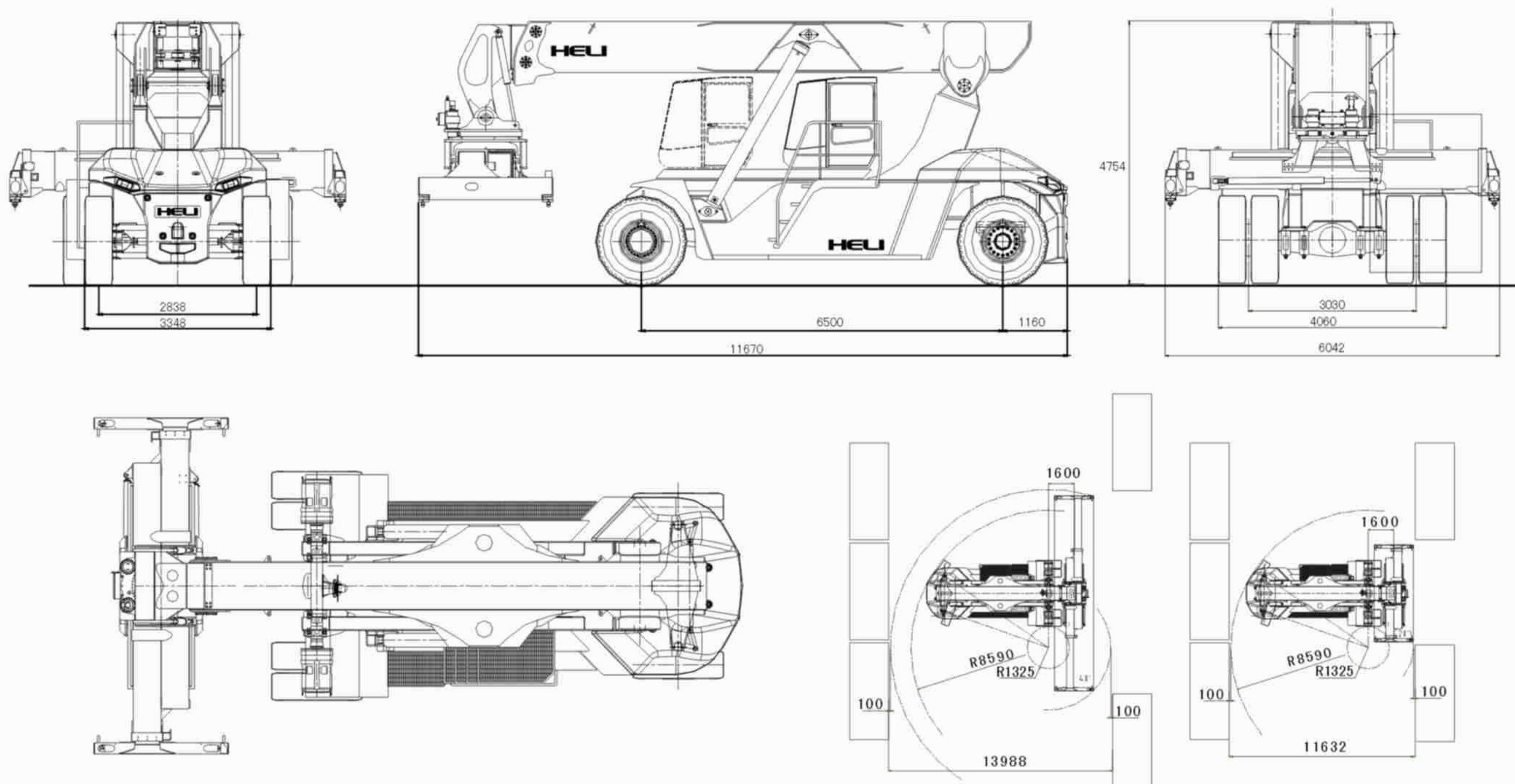
合力正面吊运机参数HELI REACH STACKER SPECIFICATIONS

型号 Model			HELIRSH4528-VO	HELIRSH4532-VO	HELIRSH4536-VO
起重量 Load Capacity	第一排/第二排/第三排 First row/second row/third row	Kg	45000/28000/14000	45000/32000/16000	45000/36000/19000
载荷中心 Load Center	第一排/第二排/第三排L4/L5/L6 First row /next row/third row L4/L5/L6	mm	1800/3850/6400	1800/3850/6400	1800/3850/6400
最大行驶速度(空载/满载) Max.Driving Speeds(without load/with load)		Km/h	28/24	28/24	28/24
起升速度(空载/满载) Lifting Speeds(without load/with load)		mm/s	420/280	420/280	420/280
下降速度(空载/满载) Lowing speeds(Without Load /With load)		mm/s	350/350	350/350	350/350
爬坡度(满载) Gradeability(with load)		%	36	34	32
最大起升高度(第一排) Max.lifting height(the first row)		mm	15050	15050	15050
集装箱 吊具 Spreader	侧移 Side shifting	mm	+800~-800	+800~-800	+800~-800
	旋转 Rotation		-95~+185	-95~+185	-95~+185
最小转弯半径 Min.turing radins		mm	8590	8590	8590
最小离地间隙 Min.under-clearance			320	320	320
吊臂最大倾角 Max.Boom Tilting angles			59	59	59
轴距 Wheel base		mm	6500	6500	6500
后悬 Rear overhang		mm	1160	1160	1160
轮距(前/后) Tread(front/rear)		mm	3030/2838	3030/2838	3030/2838
长度 Length		mm	11670	11670	11670
宽度 Width		mm	4060	4060	4060
吊臂最小高度 Min Boon Height		mm	4754	4754	4754
牵引力 Drawbar		KN	365	365	365
整车自重 Total weight		Kg	69000	73000	76800
液压系统压力 Hydraulic pressure		MPa	30	30	30
轮胎 Tire	规格 Size		18.00-25-40PR	18.00-25-40PR	18.00-25-40PR
	数量 Number		前4/后2	前4/后2	前4/后2
	气压 Air pressure	KPa	1000	1000	1000
发动机 Engine	生产厂/型号 Manufacture/ Model		VOLVO/TAD952VE	VOLVO/TAD952VE	VOLVO/TAD952VE
	额定功率 Rate Horse power	KW/rpm	250/2000	250/2000	250/2000
	最大扭矩 Max.torgue	Nm/rpm	1631/1400	1631/1400	1631/1400
变速箱(前/后档) Transmission(front/rear)			DANA TE27(CLARK)4/4	DANA TE27(CLARK)4/4	DANA TE27(CLARK)4/4
驱动桥 Drive axle			Kessler湿式制动	kessler湿式制动	Kessler湿式制动

载荷图: Loading Diagram



外形尺寸: Formal Size



直角通道宽度

## 主要技术特点

### KEY CHARACTERISTICS

进口液压系统主要部件，系统采用全液压负荷传感变量泵系统，实现向液压系统的无级供油，无溢流损失，效率高。采用电比例单手柄操纵，符合人机工程的要求，操纵轻便省力舒适、安全性能好。

Parker Hydraulic System. Using hydraulic oil pump system to realize the continuous oil supplying and reduce the overflow losses and increase the efficiency to save the energy and reduce the oil temperature.

驾驶室位置操作者根据需求可进行前后调整，便于保养与维修。

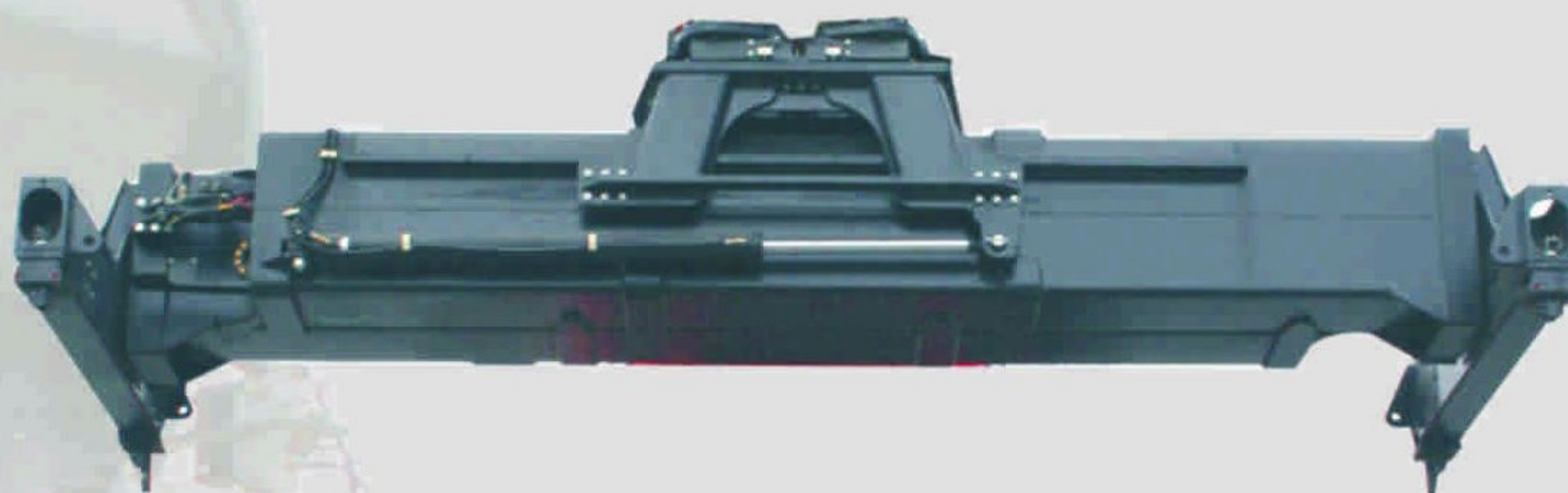
The operators can make some adjustments according to demands in cabins. it's quite easy for maintenance and repairings.



( 视野宽广的驾驶室 )  
( Cab with wide view )

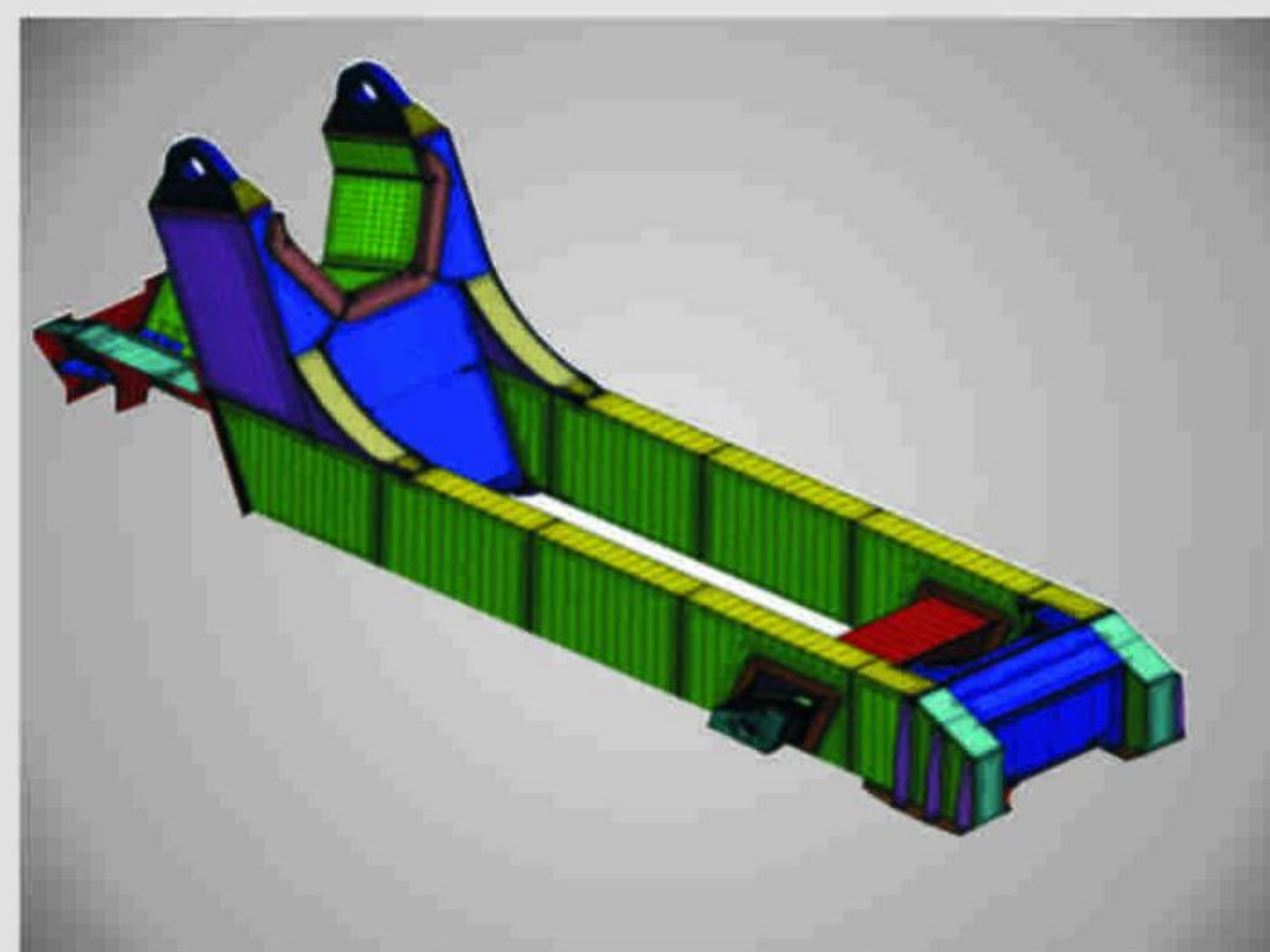
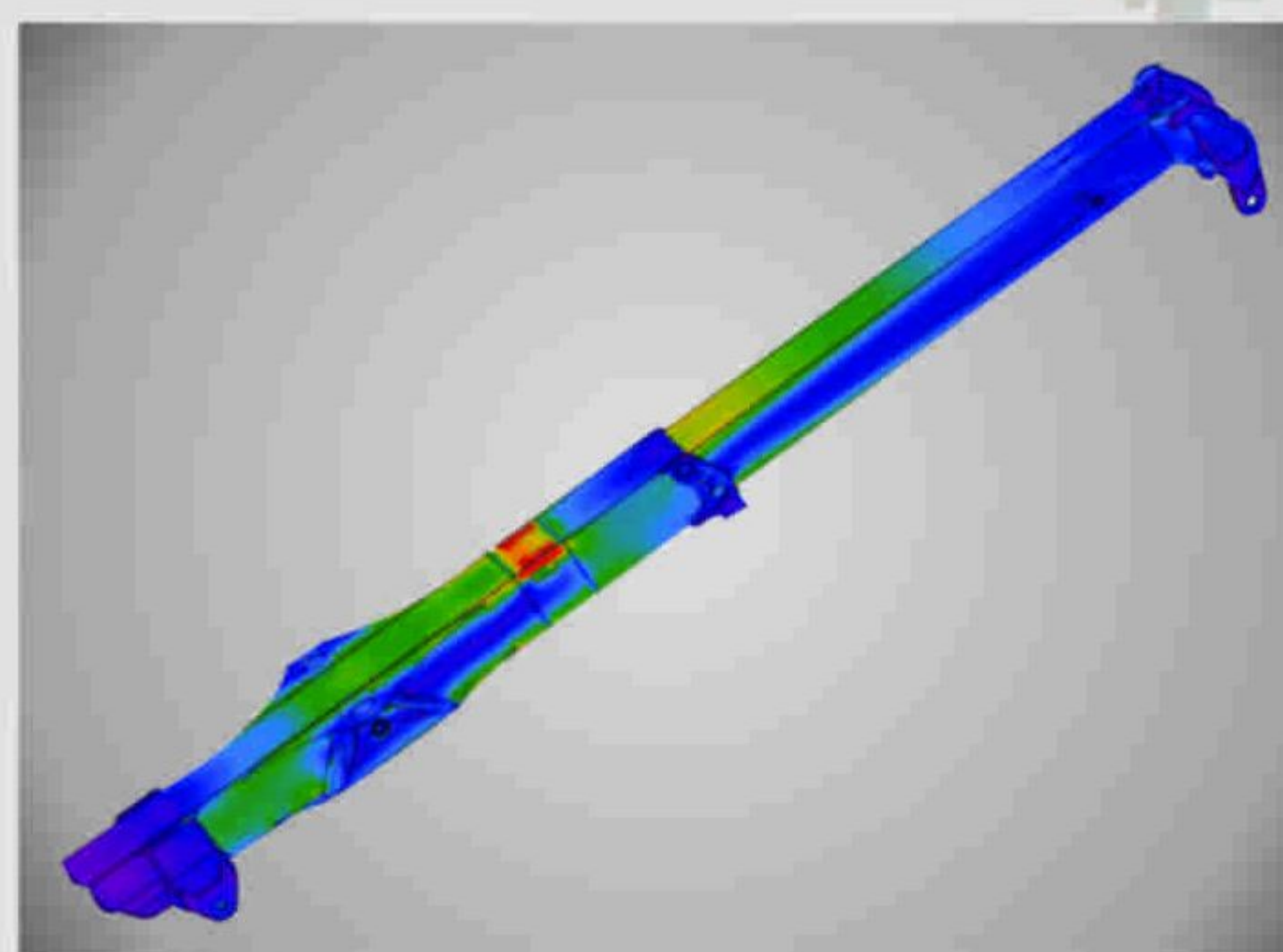
进口ELME吊具，确保系统安全与可靠。

ELME spreader .insuring the system safety and realible enough.



进口Kessler驱动桥，该桥桥荷、制动扭矩大，安全可靠；制动器为多片全封闭式湿式制动器，防尘防水好，免维护。

Kessler front axle. This axle has high load capacity and brake torque to be safe and reliable enough .Wet type brake is water-resistant and dust-resistant and maintenance free

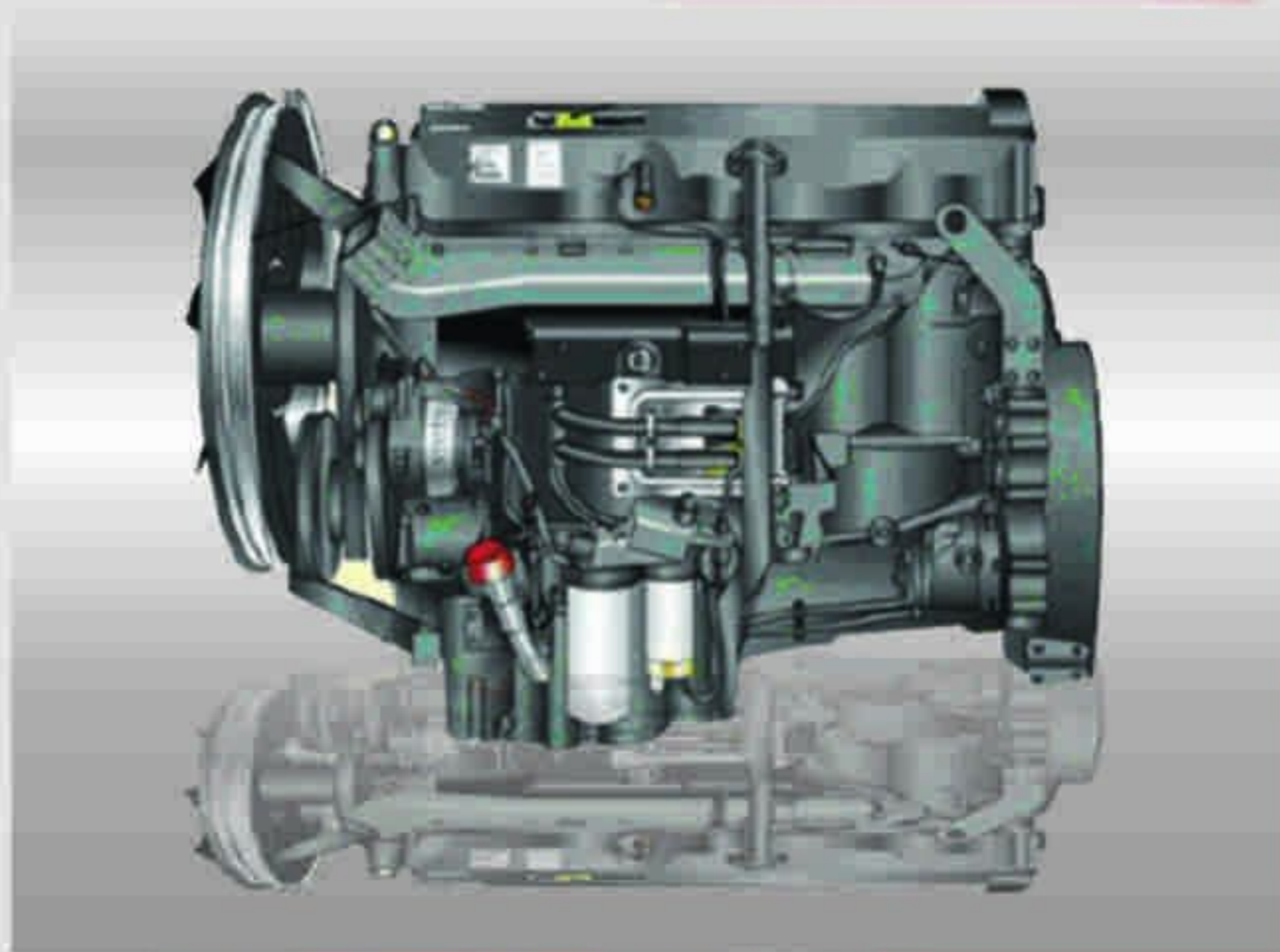


( 结构件有限元分析 )  
Finited analyse to frameworks

## 主要技术特点 KEY CHARACTERISTICS

进口VOLVO TAD952VE高性能的电喷柴油机，该机符合欧美III号非公路机动设备环保排放要求，配置进口专用发动机附件，保证发动机正常使用与维护。

The imported defi TAD952VE of volvo diesel engines with high power can meet the environmental requirement in III of european and american market for all vehicles and equipments off-high way. as well, we selected imported sepcial accessories to engines for ensuring the normal use and mainenance.



进口DANA TE27电液控制变速箱，能轻易实现各种控制操纵，具有完善的状态检测和自动控制、诊断、保护功能，通过CAN-BUS总线进行信息交互。

The imported TE27 of Dana electronical controlling transmissions can carry out various controlling operation. it has completed capability of self-inspection, automatical controlling, diagnosis and self-protection, as well, it could finishi communication via can-bus.

电气系统采用模块化设计和CAN-BUS总线结构，将发动机、变速箱、制动、液压和吊具等各系统，联成一个完整的集成控制系统，来实施统一、协调的控制。此外，通过大屏幕彩色CAN-BUS总线交互式仪表，还具有及其便捷的在线监测、显示、设置、和查询功能，非常可靠的自动诊断、自动报警和自动保护功能。配置最新一代3B6汉化显示

The electronic system adoped the modularized design and center controlling with can-bus for connecting all of systems of engine, transmission, braking, hydraulic and suspending system together. therefore, such a complected integrated controlling system can support the consolidate and harmonious controlling. furthermore, on the big screen of can-bus panel, there're capabilities of online-supervision, display, setup, inquiry, reliable self-diagnosis, self-alariming and self-protection. Installed with the most popular chinese display Modeled 3B6.

