



CPCD 140-180 内燃平衡重式叉车

COUNTERBALANCED INTERNAL COMBUSTION FORKLIFT TRUCK



HELI

中国合力 提升未来



> 起重系统 Lifting system

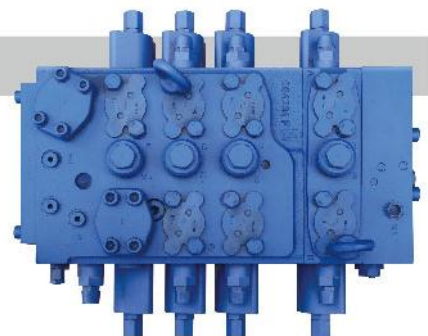
- ▶ 起重系统采用的是拥有自主知识产权的宽视野门架与货叉架系统，为操作者提供更好地视野，有效提高工作效率与安全性。托架式侧移调距叉，采用挂钩式货叉，方便用户更换属具，作业效率较高。
- ▶ Wide view mast and lift bracket with proprietary intellectual property right assembled on the truck provides driver better view and improves work efficiency and safety effectively. Bracket type fork positioner and hook-type fork are fitted for the convenience of attachments changing

> 座椅 Seat

- ▶ 座椅可以双向调节，可以根据司机的身材灵活的进行调节，提高人机工程舒适性。
- ▶ The seat can be adjusted to fit driver's figure and improve driver's comfort.

> 先导控制的液压系统 Pilot controlled hydraulic system

- ▶ 采用德国力士乐的进口液压元件，整个系统采用全液压负荷传感变量系统，系统主泵采用斜盘式轴向柱塞变量泵。远程先导控制，具有高可靠性，高舒适性的特点，可有效降低工作强度。
- ▶ Wholley hydraulic-load sensing variable system is applied and the main pump of the system is swash plate axial plunger pump. German Rexroth hydraulic element with remote pilot control has the characteristics of high reliability and high comfort which reduce working intensity effectively.



> 动力系统 Power system

- ▶ 此款车型的发动机采用CumminsQSB6.7（康明斯）6缸涡轮增压美国原装进口发动机，额定功率142KW，最大扭矩值可达929Nm，发动机动力充沛，并配有进气中冷，在最大程度增加发动机功率的同时可以保持较低的燃油消耗率，发动机的燃烧效率较高，符合欧Ⅲ排放标准。
- ▶ Cummins QSB6.7 turbocharged six-cylinder engine with 142kw rated power and 929Nm peak torque is assembled on the truck. The powerful engine with air intake intercooling system increases engine power to the greatest degree while maintains low fuel consumption. Engine meets Europe III emission standard.



> 变速箱 Transmission box

- ▶ 本车型采用德国ZF-3WG171（采埃孚）进口变速箱，带故障代码显示器，有手动、自动两种控制模式，具备完善的输入/输出状态检测和自动控制、诊断、保护功能。此款变速箱可靠性高、与发动机匹配性好、效率高、噪音低，档位分配为前三后三，变速箱的电子集成度高，设有故障反馈系统，可有效提高售后维修效率。
- ▶ German ZF-3WG171 transmission box with fault code display is fitted on the truck. The transmission box has perfect input/output condition check and automatic control, diagnosis and protection function. The transmission box with high reliability, high efficiency and low noise perfectly matches with engine. The high electronic integration transmission box with three gears front and three rear has fault feedback system which improves after-sale service efficiency effectively.



> 驱动桥 Drive axle

- ▶ 驱动桥采用德国D81PL478-NBL（Kessler）进口驱动桥，行车制动采用全湿式制动，制动可靠性高、噪音小，免维护。驻车制动采用前桥钳盘式制动，拥有较高性价比。
- ▶ German Kessler D81PL478-NBL drive axle is fitted on the truck. Wet type service brake has high reliability, low noise and is free of maintenance. Caliper disc parking brake has high price ratio.



> 组合仪表 Combined instrument

- ▶ 采用汽车电子仪表设计理念，更适合行走路面机械工况要求，可随时观察仪表上反馈的数据，及时了解整车的一个工作状态，各种报警指示灯清晰明了安全可靠。
- ▶ With automobile instrument design concept, the combined instrument displaying kinds of data and whole truck's working condition well meets the machinery requirements of travelling on road. Different warning indicators are clear and reliable.

H SERIE FORKLIFT

H系列 CPCD 140-180

载荷中心1200mm Load center 1200mm

性能参数 Parameter

型号 Model		CPCD140-Cu4	CPCD150-Cu4	CPCD160-Cu4	CPCD180-Cu2
额定起重量 Rated capacity	kg	14000	15000	16000	18000
载荷中心距 Load center	mm	1200			
动力形式 Power		柴油 Diesel			
轮胎类型 Tyre		充气胎 Pneumatic			
起升速度 (满/空载) Max. lifting speed (full loaded/unloaded)	mm/s	320/360			
下降速度 (满载) Lowering speed (full loaded)	mm/s	480			
最大行驶速度 (空载) Max. travelling speed(unloaded)	km/h	30			
最大爬坡能力 (满/空载) Max. gradeability(full loaded/unloaded)	%	28/22			
最大牵引力 (满载) Max. traction ability (full loaded)	KN	115			
车轮 (前/后) Wheel (front/rear)		4/2			
轮胎 (前/后) Tyre (front/rear)		12.00-24-20PR/12.00-20-20PR			
蓄电池电压/容量 Battery voltage/capacity	V/Ah	24/120			
行车制动 Service brake		湿式多片碟刹式 Wet-type multiple disc brake			
停车制动 Parking brake		液压钳盘式 Hydraulic caliper disc type			
发动机型号 Engine type		CumminsQSB6.7			
额定功率/转速 Rated power/rotate speed	kW/rpm	142/2300			
发动机最大扭矩/转速 Max. torque/rotate speed	Nm/rpm	929/1500			
发动机缸数 Engine cylinder number		6			
发动机排量 Engine displacement	L	6.7			
变速箱变速档数 (前/后 型式) Gears(front/rear/type)		前三后三 Three front three rear			

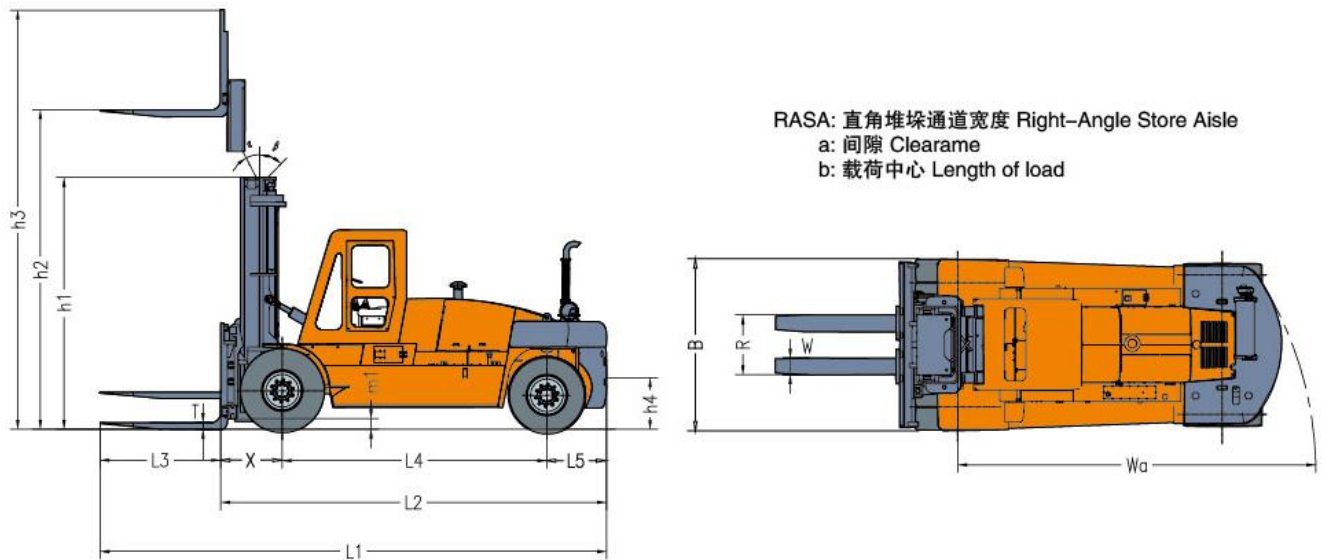
标准配置 Standard Configuration

宽视野门架 Wide view mast	油压报警 Oil pressure alarm	液压回路滤芯 Hydraulic oil return circuit filter core	钳盘式停车制动 Caliper disc parking brake
标准货叉 Standard fork	空档指示 Neutral gear indicator	传动油滤芯 Transmission oil filter core	倾斜可调式方向机 Tilting adjustable steering column
驾驶室 Driver's cab	预热指示 (柴油) Preheating indicator (Diesel)	空气滤清器 Air cleaner	先导控制手柄 Pilot control knob
倒车镜 Back view mirror	充电指示 Charging indicator	倾斜油路自锁阀 Tilting oil circuit self lock valve	随车工具 Tool
前组合灯 Front combined lamp	倒车蜂鸣器 Back buzzer	先导手柄 Pilot knob	灭火器 Fire extinguisher
后组合灯 Rear combined lamp	发动机钥匙熄火 Engine flame off key	标准座椅 Standard seat	侧移调距叉 (单叉调距) Fork positioner (Adjusting by one fork)
小时表 Hour meter	柴油发动机自动预热系统 Diesel engine automatic preheating system	进气装置 Air intaking device	冷暖空调 Air conditioner
水温表 Water temperature meter	变矩器油标尺 Torque converter oil dipstick	全液压动力转向 Wholly hydraulic powered steering	
油量表 Oil quality meter	液压油标尺 Hydraulic oil dipstick	花纹耐用轮胎 Durable tread tyre	
电喇叭 Horn	四片多路阀 Four-piece control valve	起升油路限速阀 Lifting oil circuit flow regulator	

选用装置和附件 Optional Devices and Accessorie

实心轮胎 Solid tyre	倾斜缸护套 Tilt cylinder jacket	转向缸护套 Steering cylinder jacket	用户指定颜色 Customer made color
串杆 String rod			

- 合力产品不断更新和改进中，合力保留在没有事先告知用户的情况下，更改整体参数及设计的权利。
Our products are subject to the improvements and changes without notice.
- 文中插图不一定是该机型的标准款，插图中产品配置和外观颜色与实际机型存在差异，以实物为准。
The picture in the brochure may not be the standard model of this type. The configuration and color of the product in the picture may be different from the actual machine. Please adhere to the actual machine.



标准参数 Standard parameter

型号 Model	CPCD140-Cu4	CPCD150-Cu4	CPCD160-Cu4	CPCD180-Cu2
单位 Unit	mm	mm	mm	mm
h3 货叉起升时高度 (含货叉架) Overall height with fork lifting high (including lifting bracket)	4840	4840	4840	5840
h2 标准起升高度 Height with fork standard lifting	3000	3000	3000	4000
h1 货叉落地时高度 (门架垂直时) Height with fork to the ground (mast vertical to the ground)	3340	3340	3340	3840
货叉尺寸 (长度x宽度x厚度) Fork size (Length x Width x Thickness)	2440x250x90	2440x250x90	2440x250x90	2440x250x100
m1 最小离地间隙 (门架处) Min. ground clearance (at mast)	320	320	320	320
L1 全长 (带货叉) Overall length (with fork)	8380	8380	8380	8380
L2 全长 (不带货叉) Overall length (without fork)	5940	5940	5940	5940
B 全宽 Overall Width	2560	2560	2560	2560
L4 轴距 Wheel base	4000	4000	4000	4000
h4 牵引销高 Traction pin height	650	650	650	650
R 货叉调节范围 (货叉外侧) Fork adjust range (the exterior of the fork)	900-2150	900-2150	900-2150	900-2150
X/L5 前/后悬距 X/L5 Front overhang/Rear overhang	1040/900	1040/900	1040/900	1040/900
Wa 最小转弯半径 (外部) Min. turning radius (exterior)	5600	5600	5600	5600
α / β 门架倾角 α / β mast tilting angle	6° /12°	6° /12°	6° /12°	6° /12°

宽视野基本型门架 Standard type mast with wide view

门架类型 Mast type	最大起升高度 Max. lifting height (mm)	承载能力(载荷中心600mm)(kg) Loading capacity (load center 600mm)(kg)		承载能力(载荷中心900mm)(kg) Loading capacity (load center 900mm)(kg)		门架落地全高 Free lift height (mm)	门架倾角(前/后) Mast tilt angle (Fwd/Bwd)	备注 Note
		CPCD140	CPCD150	CPCD160	CPCD180			
M300	3000	14000	15000	16000	18000	3340	6°-12°	CPCD140-CPCD160标准型 CPCD140-CPCD160 Standard type
M350	3500	14000	15000	16000	18000	3590	6°-12°	
M400	4000	14000	15000	16000	18000	3840	6°-12°	CPCD180标准型 CPCD180 Standard type
M450	4500	14000	15000	16000	18000	4090	6°-12°	
M500	5000	14000	15000	16000	18000	4390	6°-6°	
M550	5500	13000	14000	15000	17000	4640	3°-6°	
M600	6000	12000	13000	14000	16000	4940	3°-6°	
M650	6500	11000	12000	13000	15000	5150	3°-6°	



安徽合力股份有限公司
ANHUI HELI CO., LTD.

地址：合肥市经开区方兴大道668号
ADD: NO.668 Fangxing Street, Economical Development
Zone, Hefei, P.R.China
电话 TEL: (0086) 551-63689111, 63689365

传真 FAX: (0086) 551-63689365
邮箱 E-MAIL: Sale-HVE@helichina.com
网址 WEBSITE: <http://www.helichina.com>
全国免费服务热线: 4001600761

© 2015-03-A heli copyright
设计/印刷 合力印务